

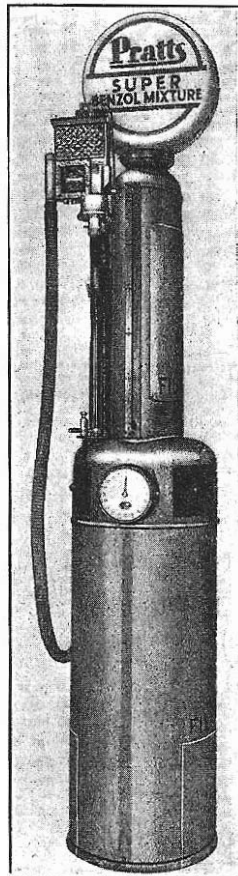
FOR OFFICIAL USE.

(628)

WEIGHTS AND MEASURES ACT, 1904.

NOTICE OF EXAMINATION OF PATTERN No. 628.

SUBMITTED BY MESSRS. PRIMING DEVICES, LTD.,
1, STONE BUILDINGS, LINCOLN'S INN, LONDON, W.C.2.



The Board of Trade have examined and tested, with reference to the material of which and the principle on which it is constructed, a pattern of a liquid measuring instrument for delivering in quantities of 5, 4, 3, 2, 1 and $\frac{1}{2}$ gallons of the piston type, fitted with an attachment for the purpose of ensuring that the instrument is not used unprimed, of the form shown herein, which has been submitted to the Department under the provisions of Section 6 of the above Act, and have issued a Certificate No. 519 dated 24th June, 1930, that the pattern is not such as to facilitate the perpetration of fraud when used for the measurement of petrol and other liquids of low viscosity.

Board of Trade,
Standards Department,
O'd Palace Yard,
Westminster, S.W.1.
January, 1931.

[P.T.O.]

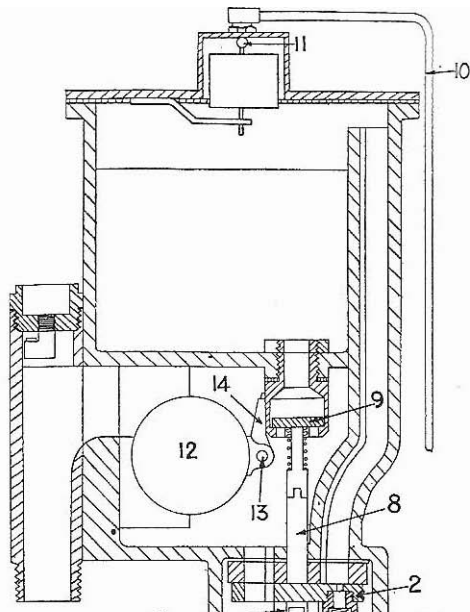


FIG. I.
UPPER MECHANISM.

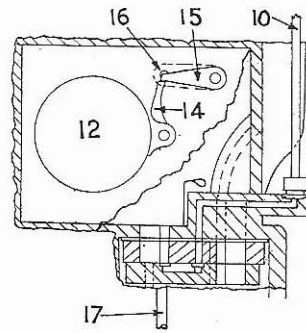


FIG. II.

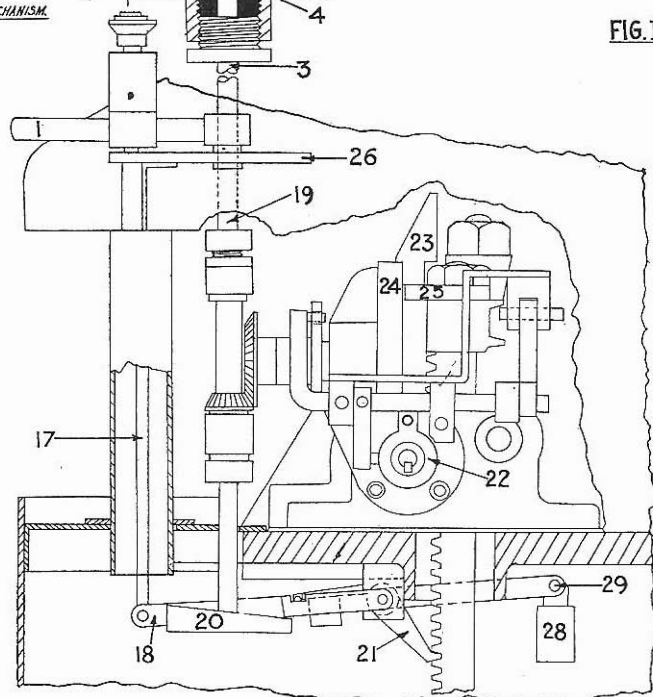
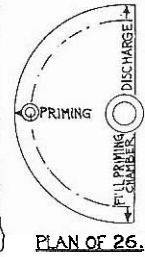


FIG. I. LOWER MECHANISM



PLAN OF 26.