

FOR OFFICIAL USE.

(333)

WEIGHTS AND MEASURES ACT, 1904.

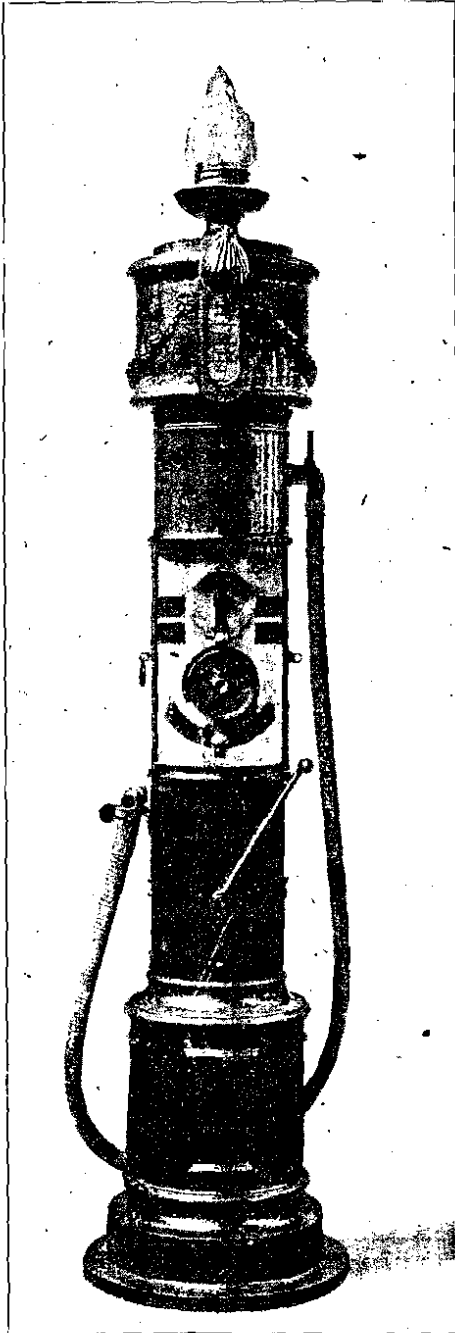
NOTICE OF EXAMINATION OF PATTERN No. 333.

SUBMITTED BY
J. GARVIE OF MESSRS. GARVIE
ACCURATE MEASURES, LTD.,
119, BISHOPS-GATE, LONDON.

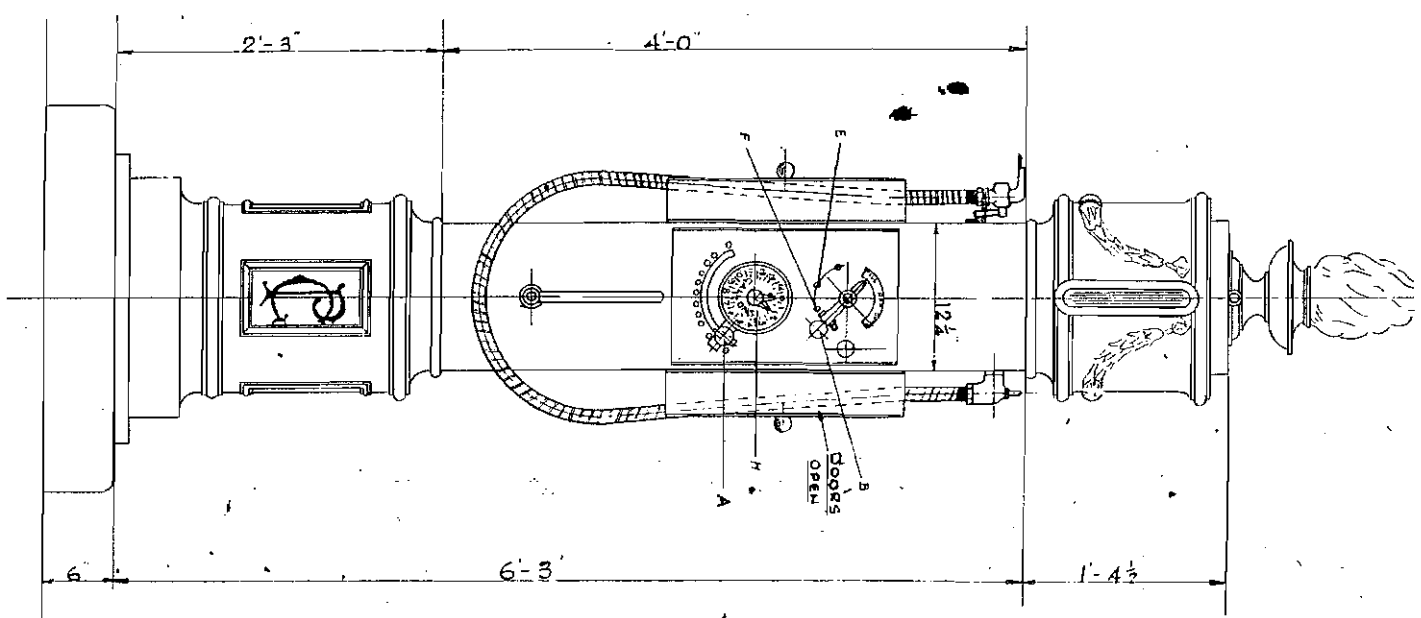
The Board of Trade have examined and tested, with reference to the material of which and the principle on which it is constructed, a pattern of a measuring and delivering apparatus consisting of a 5 gallon subdivided container of the form shown herein, which has been submitted to the Department under the provisions of Section 6 of the above Act, and have issued a Certificate (No. 256) dated 25th February, 1926, that the pattern is not such as to facilitate the perpetration of fraud, when used for the measuring and delivering of petrol and other liquids of low viscosity.

Board of Trade
Standards Department,
Old Palace Yard,
Westminster, S.W. 1.

November, 1926.



ELEVATION - FRONT VIEW
DOORS OPEN



SECTIONAL ELEVATION
SIDE VIEW

