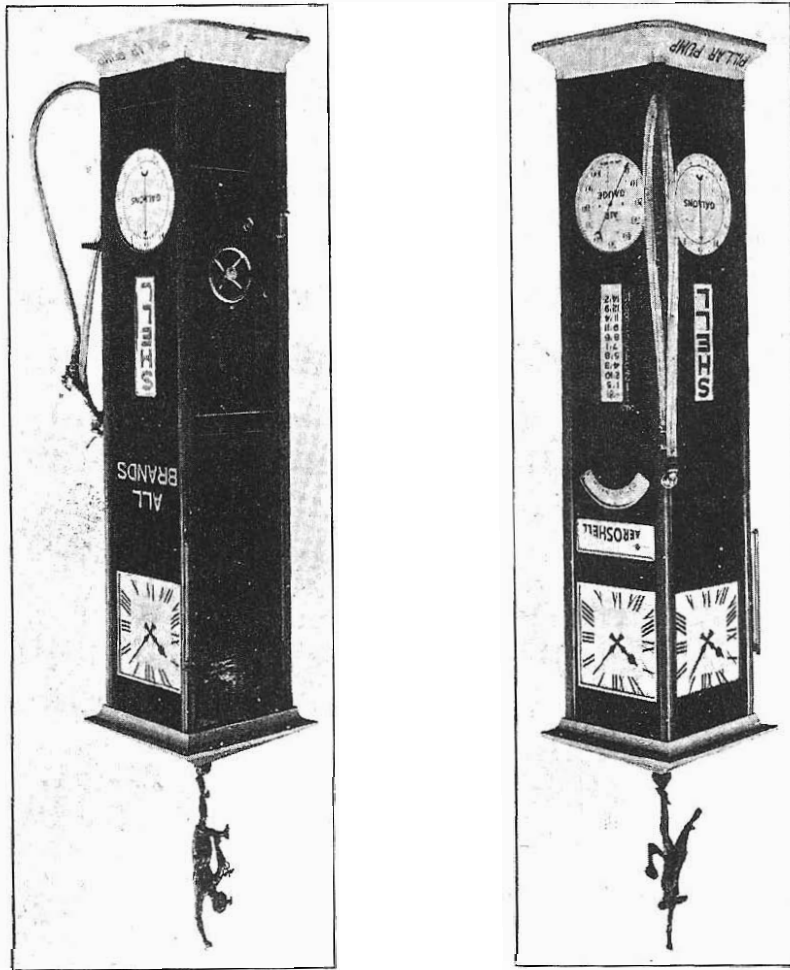


WEIGHTS AND MEASURES ACT, 1904

NOTICE OF EXAMINATION OF PATTERN No. 780

SUBMITTED BY PILLAR PUMPS, LTD.,  
ST. VINCENT'S WORKS, BRISTOL.



The Board of Trade have examined and tested, with reference to the material of which and the principle on which it is constructed, a pattern of a liquid measuring instrument of 10 gallons capacity of the subdivided container type for delivering in quantities of 10, 9, 8, 7, 6, 5, 4, 3, 2, 1 and  $\frac{1}{2}$  gallons of the form shown herein, which has been submitted to the Department under the provisions of Section 6 of the above-mentioned Act, and have issued a Certificate No. 687, dated the 1st November, 1934, that the pattern is not such as to facilitate the perpetration of fraud when used for the measurement of petrol and other liquids of low viscosity.

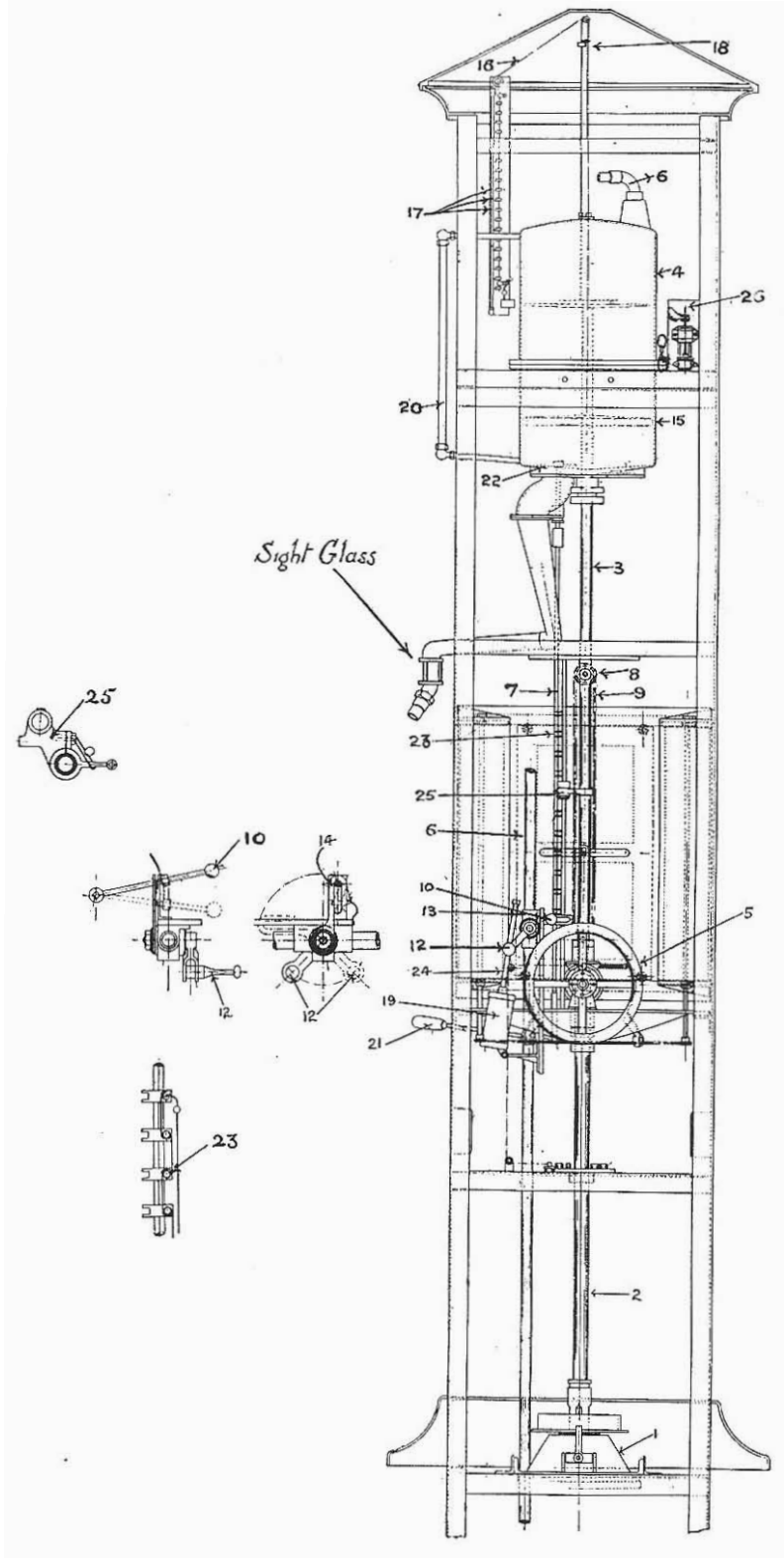
Board of Trade, Standards Department,  
Old Palace Yard, Westminster, S.W.1.

May, 1935.

53-9999

Crown Copyright Reserved

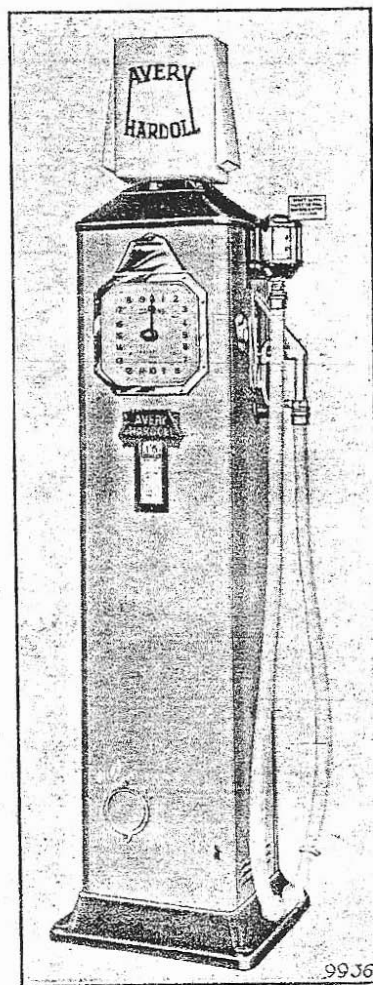
P.T.O.



# WEIGHTS AND MEASURES ACT, 1904

## NOTICE OF EXAMINATION OF PATTERN No. 796

SUBMITTED BY AVERY-HARDOLL, LTD.,  
QUEEN'S PARK WORKS, 111, SALISBURY ROAD, LONDON, N.W.6



The Board of Trade have examined and tested, with reference to the material of which and the principle on which it is constructed, a pattern of a flow meter fitted with pre-setting mechanism so as to deliver pre-determined quantities not exceeding 20 gallons of the form shewn herein, which has been submitted to the Department under the provisions of Section 6 of the above-mentioned Act, and have issued a Certificate No. 694, dated the 27th December, 1934, that the pattern is not such as to facilitate the perpetration of fraud when used for the measurement of petrol and other liquids of low viscosity.

Board of Trade,  
Standards Department,  
Old Palace Yard,  
Westminster, S.W.1  
November, 1935.

53-9999

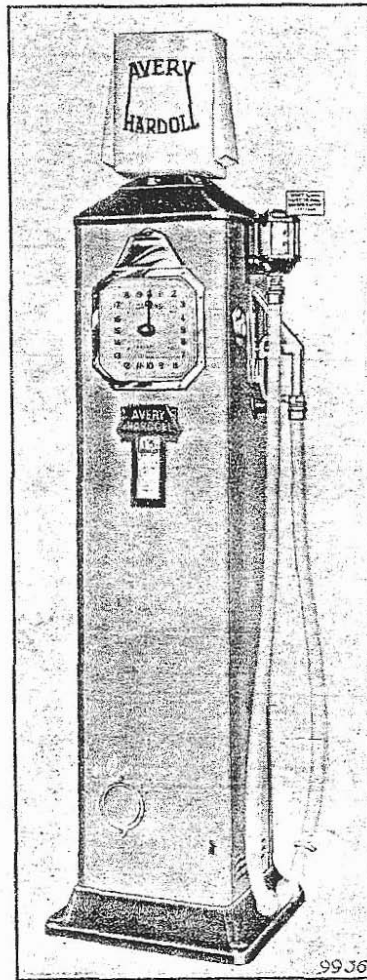
*Crown Copyright Reserved*

[P.T.O.]

## WEIGHTS AND MEASURES ACT, 1904

### NOTICE OF EXAMINATION OF PATTERN No. 796

SUBMITTED BY AVERY-HARDOLL, LTD.,  
QUEEN'S PARK WORKS, 111, SALUSBURY ROAD, LONDON, N.W.6



The Board of Trade have examined and tested, with reference to the material of which and the principle on which it is constructed, a pattern of a flow meter fitted with pre-setting mechanism so as to deliver pre-determined quantities not exceeding 20 gallons of the form shewn herein, which has been submitted to the Department under the provisions of Section 6 of the above-mentioned Act, and have issued a Certificate No. 694, dated the 27th December, 1934, that the pattern is not such as to facilitate the perpetration of fraud when used for the measurement of petrol and other liquids of low viscosity.

Board of Trade,  
Standards Department,  
Old Palace Yard,  
Westminster, S.W.1  
November, 1935.

53-9999

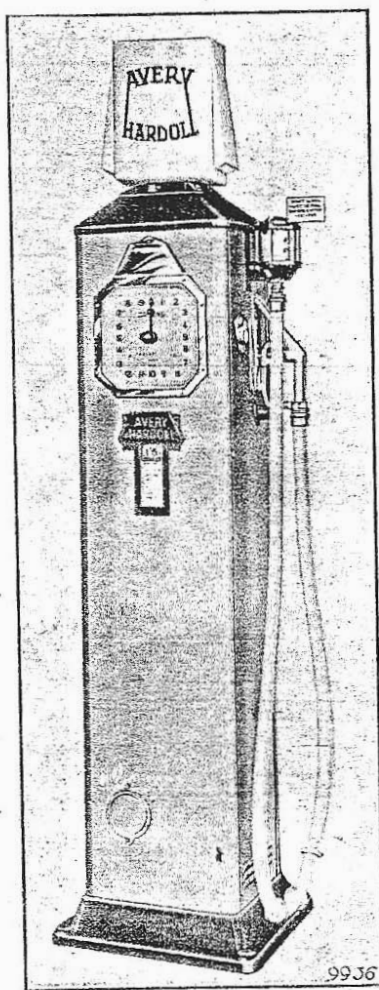
*Crown Copyright Reserved*

[P.T.O.]

WEIGHTS AND MEASURES ACT, 1904

NOTICE OF EXAMINATION OF PATTERN No. 796

SUBMITTED BY AVERY-HARDOLL, LTD.,  
QUEEN'S PARK WORKS, 111, SALUSBURY ROAD, LONDON, N.W.6



The Board of Trade have examined and tested, with reference to the material of which and the principle on which it is constructed, a pattern of a flow meter fitted with pre-setting mechanism so as to deliver pre-determined quantities not exceeding 20 gallons of the form shewn herein, which has been submitted to the Department under the provisions of Section 6 of the above-mentioned Act, and have issued a Certificate No. 694, dated the 27th December, 1934, that the pattern is not such as to facilitate the perpetration of fraud when used for the measurement of petrol and other liquids of low viscosity.

Board of Trade,  
Standards Department,  
Old Palace Yard,  
Westminster, S.W.1  
November, 1935.

53-9999

*Crown Copyright Reserved*

[P.T.O.]

