

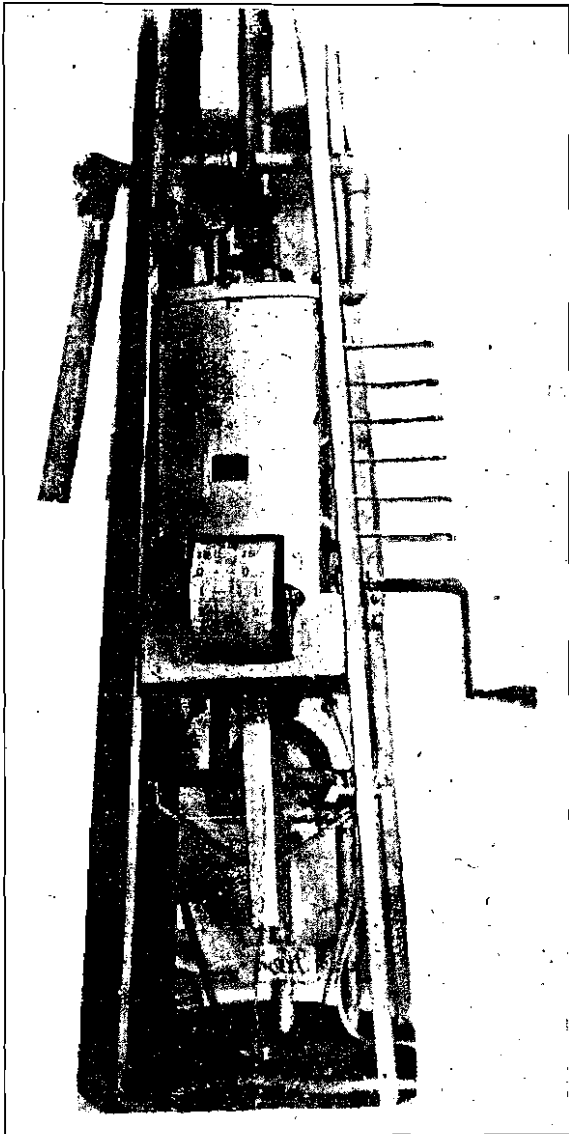
FOR OFFICIAL USE.

(429)

WEIGHTS AND MEASURES ACT, 1904.

NOTICE OF EXAMINATION OF PATTERN No. 429.

SUBMITTED BY MESSRS. F. PULMORE BEDFORD & SONS,
102/110, BROMLEY ROAD, CATFORD, S.E.6.



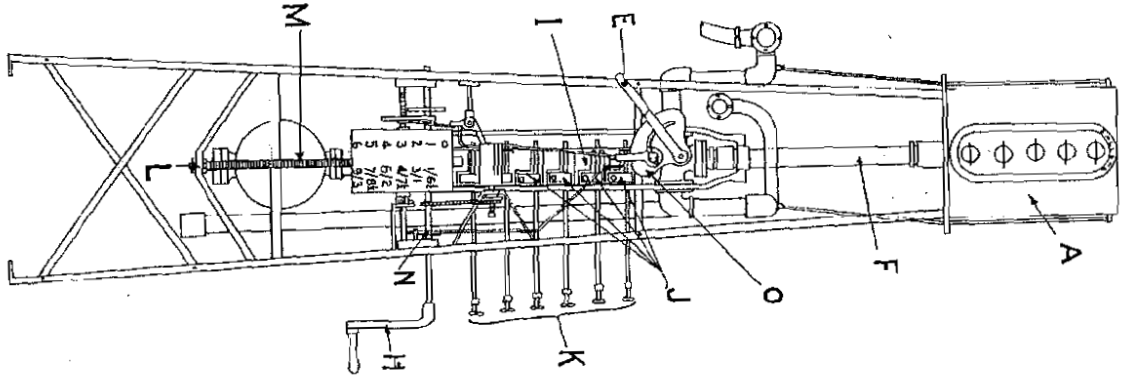
The Board of Trade have examined and tested, with reference to the material of which and the principle on which it is constructed, a pattern of a liquid measuring and delivering apparatus of the visible container type of 5 gallons capacity of the form shown herein, which has been submitted to the Department under the provisions of Section 6 of the above Act, and have issued a Certificate No. 304 dated 23rd March, 1927, that the pattern is not such as to facilitate the perpetration of fraud when used for the measurement of petrol and other liquids of low viscosity.

Board of Trade, Standards Department,
6, Old Palace Yard, Westminster, S.W.1.
March, 1928.

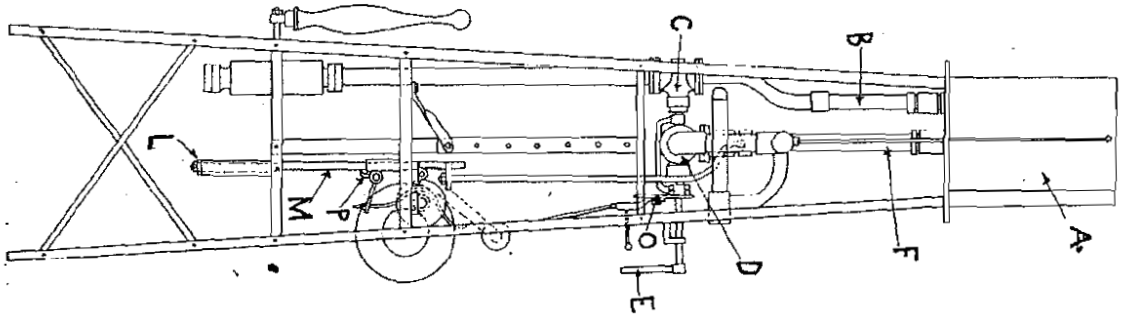
53-9999.

[P.T.O.]

FRONT VIEW
WITH COVER REMOVED.
FIG. I.



SIDE VIEW
WITH COVER REMOVED.
FIG. II.



COMPLETE PUMP.
FIG. III.

